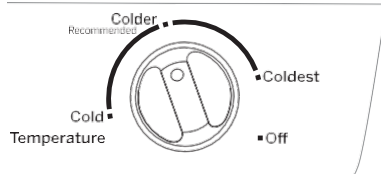


/LIW WKH IUDPH RÅ WKH VXSSRUUV DW HDFK VLGH DQG back, pull it forward, tilt it and take it out.

To replace:

About the temperature control.



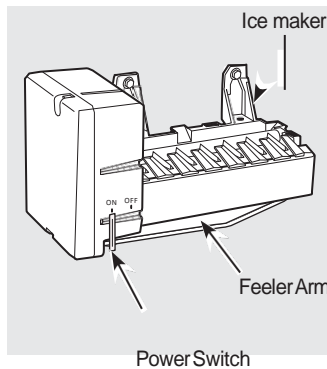
The temperature control adjusts the refrigerator from its warmest to coldest settings.

<RXU UHIULHUDWRU ZLOO FRPH ZLWK WKH UHFRPPHQGHG IDFWRU\ VHWWLQJ RQ ' &ROGHUµ.
)RU FROGHU WHPSHUDWXUH, WXUQ WKH NQRE FORFNZLVH WR VHWWLQJ ' &ROGHVWµ.)RU ZDUPHU WHPSHUDWXUH, WXUQ WKH GLDO FRXQWHU-FORFNZLVH WR VHWWLQJ ' &ROGµ. 7R WXUQ RÅ WKH FRROLQJ LQ ERWK FRPSDUWPHQWV, WXUQ WKH NQRE FORFNZLVH WR VHWWLQJ ' 2Åµ. 1RWH WKDW WKLV GRHV QRW VKXW RÅ SRZHU WR WKH UHIULHUDWRU.

- 1 Lower the frame until it rests on the supports at each side and back.
- 2 Replace the glass cover, pushing its front HGJH ¿UPO\ LQWR WKH IURQW IUDPH FKDQQHO and gently lowering the back into place.
- 3 Replace the drawers.

About the automatic ice maker

A newly-installed refrigerator may take 12–24 hours to begin making ice.



CAUTION Avoid contact with the moving parts of the ejector mechanism, or with the heating element (located on the bottom of the ice maker) that releases the FXEHV. 'R QRW SODFH ¿QJHUVRU KDQGV RQ WKH automatic ice making mechanism while the refrigerator is plugged in.

Automatic Ice maker (on some models).
The ice maker will produce approximately

70-100 cubes in a 24-hour period, depending on the freezer compartment temperature, room temperature, number of door openings and other use conditions.

If the refrigerator is operated before the water connection is made to the ice maker, set the switch **OFF**.

When the refrigerator has been connected to the water supply, set the switch **ON** position.

7KH LFH PDNHU ZLOO ¿OO ZLWK ZDWHU ZKHQ LW FROV WR 15°F. A newly-installed refrigerator may take 12 to 24 hours to begin making ice cubes.

Once the ice maker starts to make ice, it may take XS WR 48 KRUV WR ¿OO WKH ELQ, GHSHQLQJ RQ WKH temperature settings and number of door openings. You will hear a buzzing sound each time the ice PDNHU ¿OOV ZLWK ZDWHU.

NOTICE: 7KURZ DZD\ WKH ¿UVW IHZ EDWFKHV RI LFH to allow the water line to clear.

Be sure nothing interferes with the sweep of the feeler arm.

:KHQ WKH ELQ ¿OOV WR WKH OHYHO RI WKH IHHOHU DUP, WKH

ice maker will stop producing ice.

It is normal for several cubes to be joined together.

If ice is not used frequently, old ice cubes will become cloudy, taste stale, shrink or fuse together.

Ice maker accessory kit:

If your refrigerator did not already come equipped with an automatic ice maker, an ice maker accessory kit is available at extra cost.

&KHFN WKH EDFN RI WKH UHIULHUDWRU IRU WKH VSHFL¿F ice maker kit needed for your model.

Care and cleaning of the refrigerator.

Cleaning the Outside

The door handles and trim (on some models). Clean with a cloth dampened with soapy water. Dry with a soft cloth.

Keep the outside clean. Wipe with a clean cloth lightly dampened with kitchen appliance wax or mild liquid dish detergent. Dry and polish with a clean, soft cloth.

Do not wipe the refrigerator with a soiled dish cloth or wet towel. These may leave a residue that can erode the paint. Do not use scouring pads, powdered cleaners, bleach or cleaners containing either bleach or ammonia because they can damage the finish.

The stainless steel doors and door handles (on some models) can be cleaned with a commercially available stainless steel cleaner. Cleaners with oxalic acid such as Bar Keepers Friend Soft Cleanser™ will remove rust, tarnish and small blemishes. Use only a liquid cleanser free of grit and rub in the direction of the brush lines with a damp soft sponge. Do not use appliance wax or polish on the stainless steel.

Cleaning the Inside

To help prevent odors, leave an open box of baking soda in the fresh food and freezer compartments.

Unplug the refrigerator before cleaning.

If this is not practical, wring excess moisture out of sponge or cloth when cleaning around switches, lights or controls.

1/2 tablespoon (15 ml) of baking soda to a quart (1 liter) of water. This both cleans and neutralizes odors. Rinse and wipe dry.

After cleaning the door gaskets, apply a thin layer of petroleum jelly to the door gaskets at the hinge side. This helps keep the gaskets from sticking and bending out of shape.

CAUTION

Do not clean glass shelves or covers with warm water when they are cold. Glass shelves and covers may break if exposed to sudden temperature changes or impact such as bumping or dropping. Tempered glass is designed to shatter into many small pieces if it breaks. Do not wash any plastic refrigerator parts in the dishwasher.

Moving the Refrigerator

Be careful when moving the refrigerator away from the wall, particularly cushioned coverings and those with embossed surfaces.

Turn the leveling legs at each front corner of the refrigerator counterclockwise until the rollers support the refrigerator. Pull the refrigerator straight out and return it to position by pushing it straight in. **Moving the refrigerator in a side direction may damage the refrigerator.**

When pushing the refrigerator back, make sure you don't roll over the power cord or ice maker supply line (on some models).

After rolling the refrigerator back into place, turn the legs clockwise until the legs again bear the weight of the refrigerator.

Light Bulb Replacement

WARNING

Before replacing a burned-out light bulb, the refrigerator should be unplugged in order to avoid contact with electrical components. (The refrigerator should be unplugged when being replaced.)

Turning the control to the **OFF** position does not remove power to the light circuit.

Preparing for Vacation

For long vacations or absences, remove food and unplug the refrigerator. Move the temperature control dial to the **OFF** position, and clean the interior with a baking soda solution of one tablespoon (15 ml) of baking soda to one quart (1 liter) of water. Leave the doors open.

Move the switch to the OFF position on the power switch located on the back of the refrigerator.

Have a qualified service technician drain the water supply system (on some models) to prevent water damage.

Preparing to Move

Secure all loose items such as grille, shelves and drawers by taping them securely in place to prevent damage. To prevent the doors from opening while moving, secure them to the case with tape. Be sure the refrigerator stays in an upright position during moving.

WATER SUPPLY TO THE ICE MAKER (on some models)

If the refrigerator has an ice maker, it will have to be connected to a cold water line. A water supply kit (FRQWDLQLQJ FRSSHU WXELQJ, VKXWRÅ YDOYH, ¿WWLQJV DQG instructions) is available at extra cost from your dealer, by visiting our Website at **GEAppliances.com** (in Canada at **www.geappliances.ca**) or from Parts and Accessories, 1.877.959.8688.

ROLLERS AND LEVELING LEGS

Leveling legs near each front corner of the refrigerator prevent it from moving when the doors are opened. Leveling legs should be set so the front of the refrigerator is raised just enough that the doors close easily when opened about halfway.

Turn the leveling legs **clockwise to raise** the refrigerator, **counterclockwise to lower it**.

Rollers next to the leveling legs allow you to move the refrigerator away from the wall for cleaning.

Turn the legs counterclockwise until the weight of the refrigerator is transferred from them to the rollers. After rolling the refrigerator back into place, turn the legs clockwise until the legs again bear the weight of the refrigerator.

